

COMPACT POWER UNIT V 50S TURBO PLUS

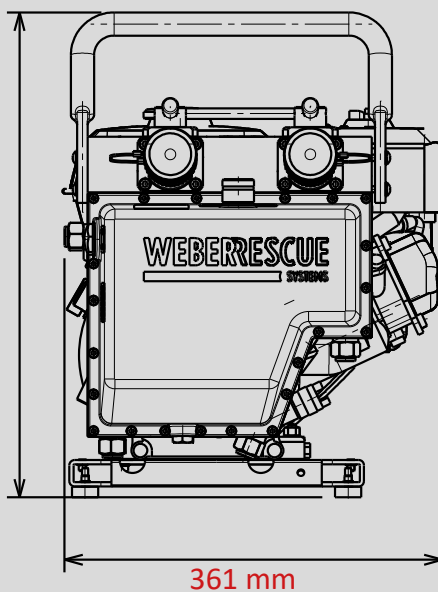
Part No.
5935156



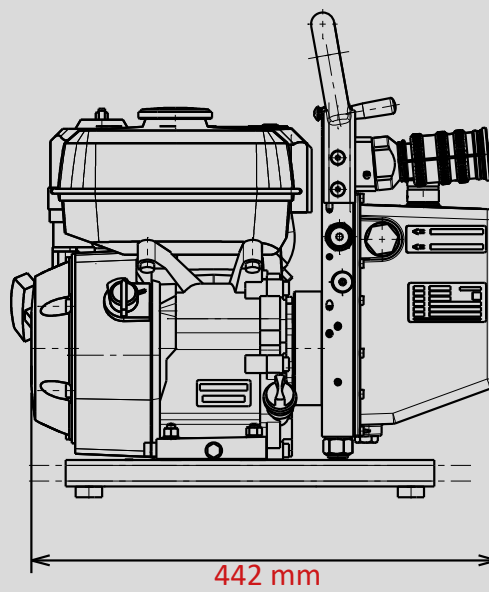
Technical Data:

Motor	4-stroke petrol engine
Nominal pressure	700 bar
Oil volume	4,0 l
Useable volume	3,15 l
EN Class	ATO/MTO
Engine power	3,6 kW
Weight	35,4 kg
Part no.	5935156

469 mm



361 mm



442 mm

Illustrations are not binding. Subject to technical changes.
07/2023A