

COMPACT POWER UNIT V-ECOCOMPACT 3600

Part No.
1102567



COMPACT



ECO



SINGLE

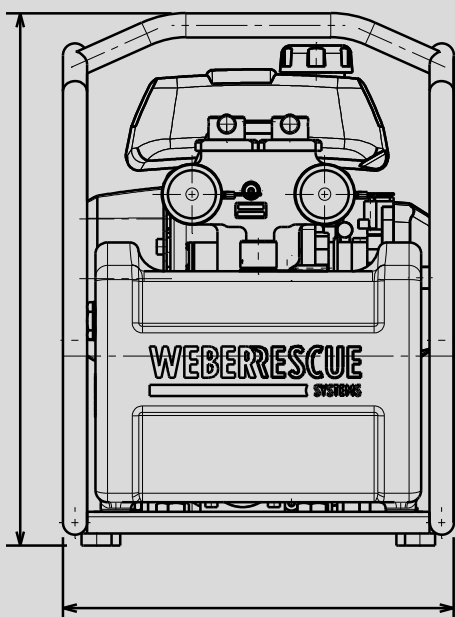


TURBO-SPEED

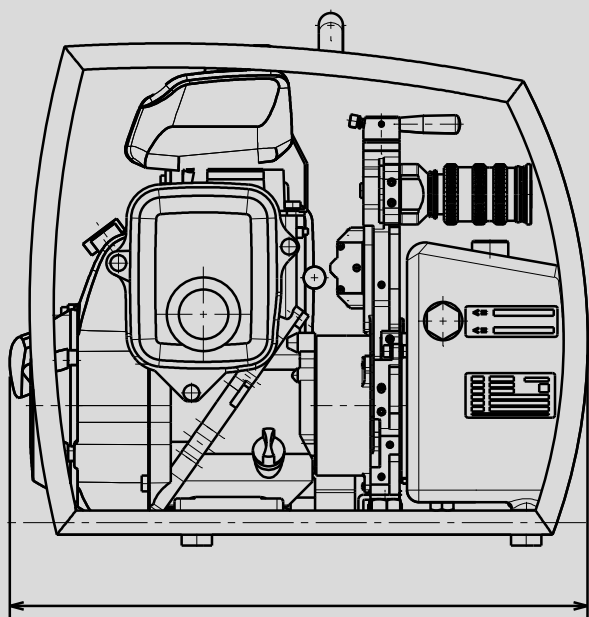
Technical Data:

Nominal pressure	700 bar
Oil volume	3,8 l
Useable volume	3,6 l
EN-classification	ATO/MTO
Engine power	2,2 kW
Weight	23,7 kg
Part-No.	1102567

441 mm



324 mm



462 mm

Illustrations are not binding. Subject to technical changes. Version, 01/2023A