

STANDARD POWER UNIT V70 W-SAH20

Part No.

1078719 | 1058332



TURBO-SPEED



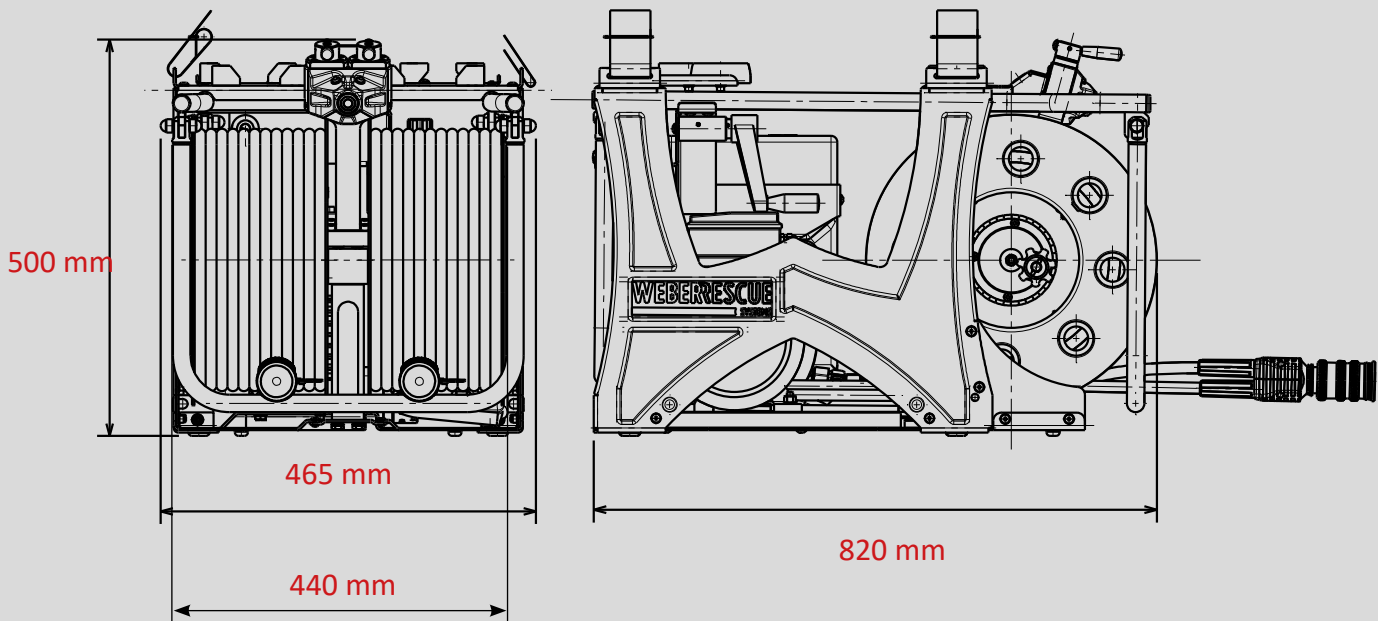
SINGLE



COAX

Technical Data:

	V 70 W-SAH 20	V 70 W-SAH 20 COAX
Nominal pressure	700 bar	700 bar
Oil volume	6,5 l	6,5 l
Useable volume	6,0 l	6,0 l
EN class	ATO/MTO	ATO/MTO
weight	75,9 kg	76,5 kg
part no.	1078719	1058332



Illustrations are not binding. Subject to technical changes.