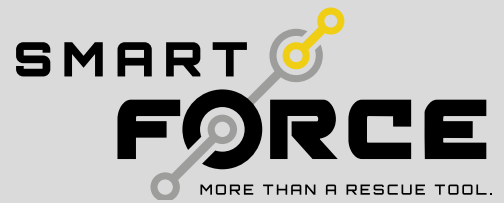


# Battery Combi Tool RIT-TOOL SMART-FORCE

Part no.  
**1101159**

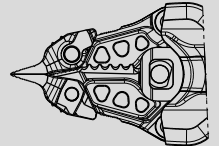


-  **18V BATTERY**
-  **POW3R PUMP**
-  **CONNECT**
-  **FORGED**
-  **360° HANDLE**
-  **LED LIGHTS**
-  **UNDERWATER**

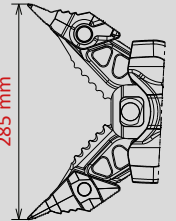
## Technical data:

Opening width	285 mm
Spreading force (in the working area)	30 - 1305 kN
Opening width	215 mm
Max. pulling force	47 kN
Weight (ready to use)	14,2 kg
Dimensions (LxWxH)	790 x 192 x 228 mm
EN class (EN 13204)*	AC140H-14,2
EN cutting class (EN 13204)*	1H-2H-3H-4H-5H
NFPA cutting class (NFPA 1936)	A6-B7-C6-D7-E7-F3
DIN class (DIN 14751-4)	C100-H-E-I

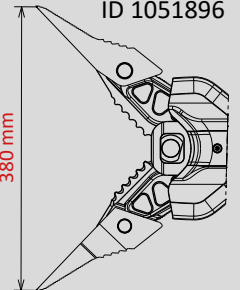
**Door opener tip**  
ID 1096859



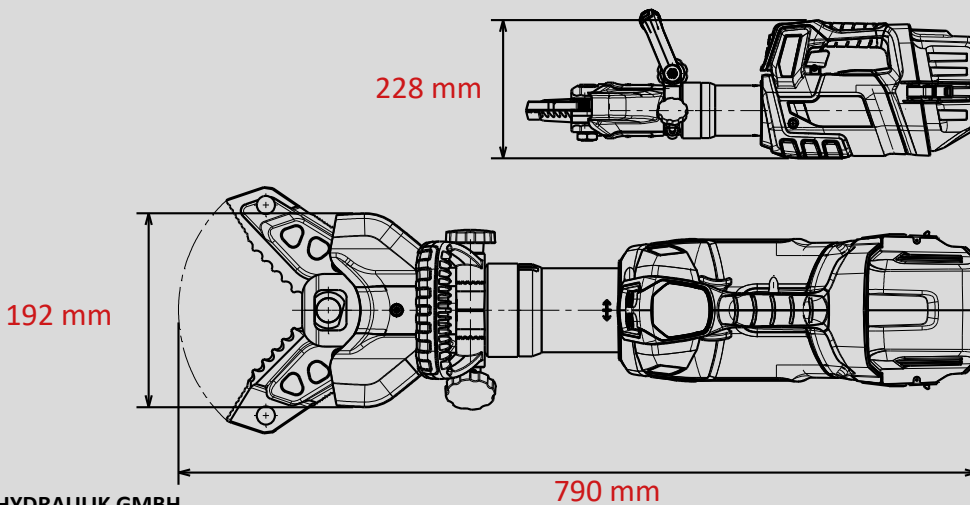
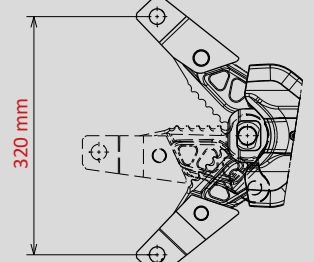
**Spreader tip**  
ID 1050616



**Long tip**  
ID 1051896



**Pulling adapter**  
ID 2836033



**WEBER-HYDRAULIK GMBH**  
Heilbronner Straße 30  
74363 Güglingen, Germany  
Phone +49 7135 71-10270  
info@weber-rescue.com

Emil Weber Platz 1  
4460 Losenstein, Austria  
Phone +43 7255 6237-120

\* According to EN 13204. Images are non-binding. We reserve the right to technical modifications.  
02/2024A