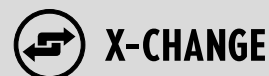


# BATTERY COMBI TOOL SPS 270 MK2 E-FORCE3

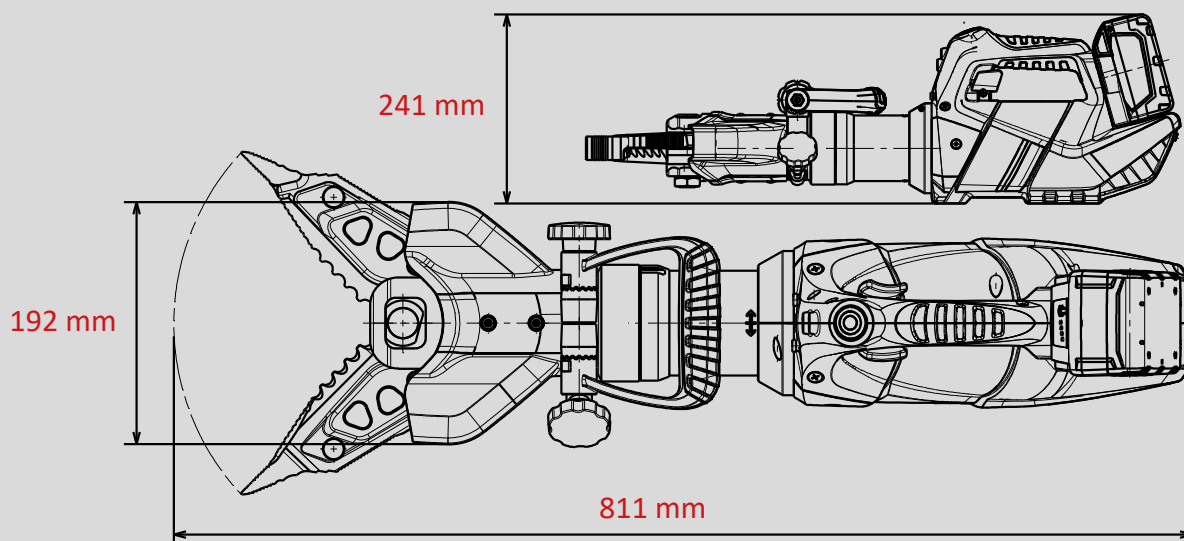
# E-FORCE3

Part no.  
**1093515**



## Technical data:

Spreading width	270 mm
Spreading force (in the working area)	31 - 591 kN
Opening width	221 mm
Pulling width (with adapters)	395 mm
Max. pulling force	36 kN
Weight (ready for use)	13,6 kg
Dimensions (LxWxH)	811 x 192 x 241 mm
Nominal pressure	700 bar
EN classification (EN 13204)*	BK31/270G-13,6
EN cutting class (EN 13204)*	1H-2G-3G-4H-5G
NFPA cutting class (NFPA 1936)	A6-B7-C6-D7-E7



\*According to EN 13204. Images are non-binding. We reserve the right to technical modifications.  
60004849 (-, -, ALL, 13.02.2020)

WEBER-HYDRAULIK GMBH  
Heilbronner Straße 30  
74363 Güglingen/Deutschland  
Fon +49 7135/71-10270  
Fax +49 7135/71-10396  
info@weber-rescue.com

Emil Weber Platz 1  
4460 Losenstein/Österreich  
Fon +43 7255/6237-120  
Fax +43 7255/6237-12461  
info@weber-rescue.com

**WEBERRESCUE**  
SYSTEMS  
www.weber-rescue.com