

COMBI TOOL SPS 360 MK2

Part no.
1096646



 **FORGED**

 **HANDLE**

 **PUSH CONTROL**

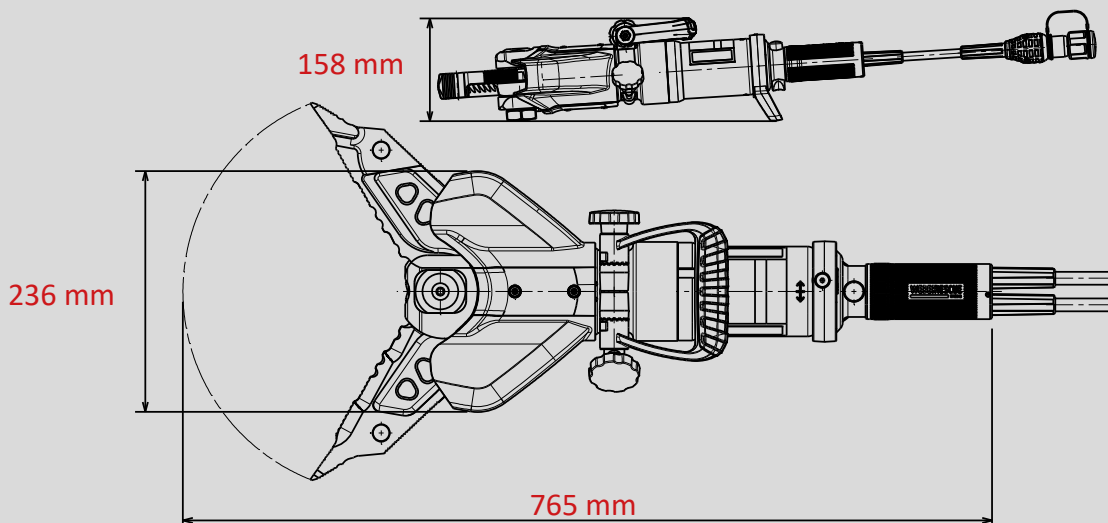
 **SINGLE**

 **ULTIMATE**

 **X-CHANGE**

Technical data:

Spreading width	360 mm
Spreading force (in the working area)	36 - 783 kN
Opening width	285 mm
Pulling width (with adapters)	440 mm
Max. pulling force	53 kN
Weight	14,2 kg
Required oil volume	0,1 l
Dimensions (LxWxH)	765 x 236 x 158 mm
Nominal pressure	700 bar
EN classification (EN 13204)	CK36/360I-14,2
EN cutting class (EN 13204)	1I-2K-3J-4K-5J
NFPA cutting class (NFPA 1936)	A7-B8-C7-D9-E8-F5



Images are non-binding. We reserve the right to technical modifications.
60005268 (A, 200100, ALL, 29.07.2020)