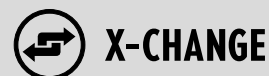


BATTERY COMBI TOOL SPS 370 MK2 E-FORCE3

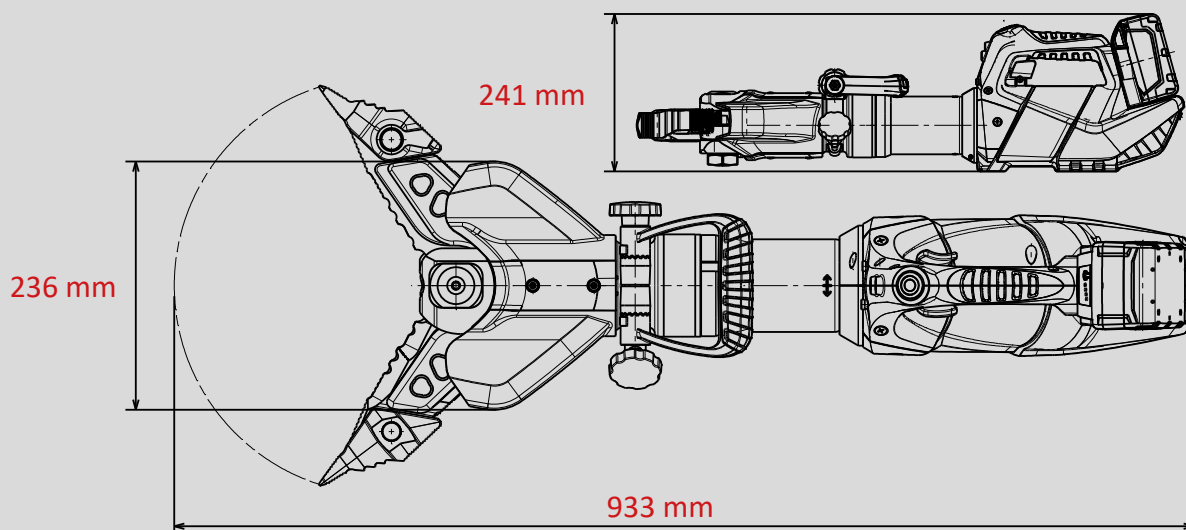
E-FORCE3

Part no.
1096649



Technical data:

Spreading width	370 mm
Spreading force (in the working area)	35 - 783 kN
Opening width	295 mm
Pulling width (with adapters)	405 mm
Max. pulling force	57 kN
Weight (ready for use)	19,2 kg
Dimensions (LxWxH)	933 x 236 x 241 mm
Nominal pressure	700 bar
EN classification (EN 13204)*	CK35/370H-19,2
EN cutting class (EN 13204)*	1I-2J-3H-4J-5I
NFPA cutting class (NFPA 1936)	A7-B8-C7-D8-E8-F5



*According to EN 13204. Images are non-binding. We reserve the right to technical modifications.
60005271 (A, 200100, ALL, 29.07.2020)

WEBER-HYDRAULIK GMBH
Heilbronner Straße 30
74363 Güglingen/Deutschland
Fon +49 7135/71-10270
Fax +49 7135/71-10396
info@weber-rescue.com

Emil Weber Platz 1
4460 Losenstein/Österreich
Fon +43 7255/6237-120
Fax +43 7255/6237-12461
info@weber-rescue.com

WEBERRESCUE
SYSTEMS
www.weber-rescue.com