

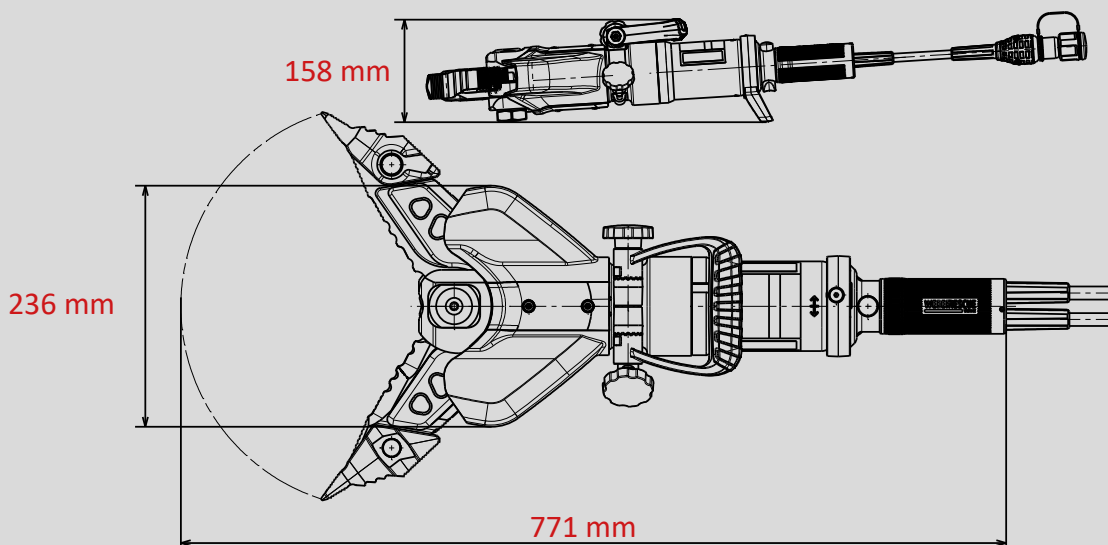
# COMBI TOOL SPS 370 MK2

Part no.  
**1096648**



## Technical data:

Spreading width	370 mm
Spreading force (in the working area)	35 - 783 kN
Opening width	295 mm
Pulling width (with adapters)	405 mm
Max. pulling force	57 kN
Weight	15,2 kg
Required oil volume	0,1 l
Dimensions (LxWxH)	771 x 236 x 158 mm
Nominal pressure	700 bar
EN classification (EN 13204)	CK35/370H-15,4
EN cutting class (EN 13204)	1I-2J-3H-4J-5I
NFPA cutting class (NFPA 1936)	A7-B8-C7-D8-E8-F5



Images are non-binding. We reserve the right to technical modifications.  
(2025A)