

COMBI TOOL SPS 400 MK2

Part no.
1096650



 **FORGED**

 **360° HANDLE**

 **PUSH CONTROL**

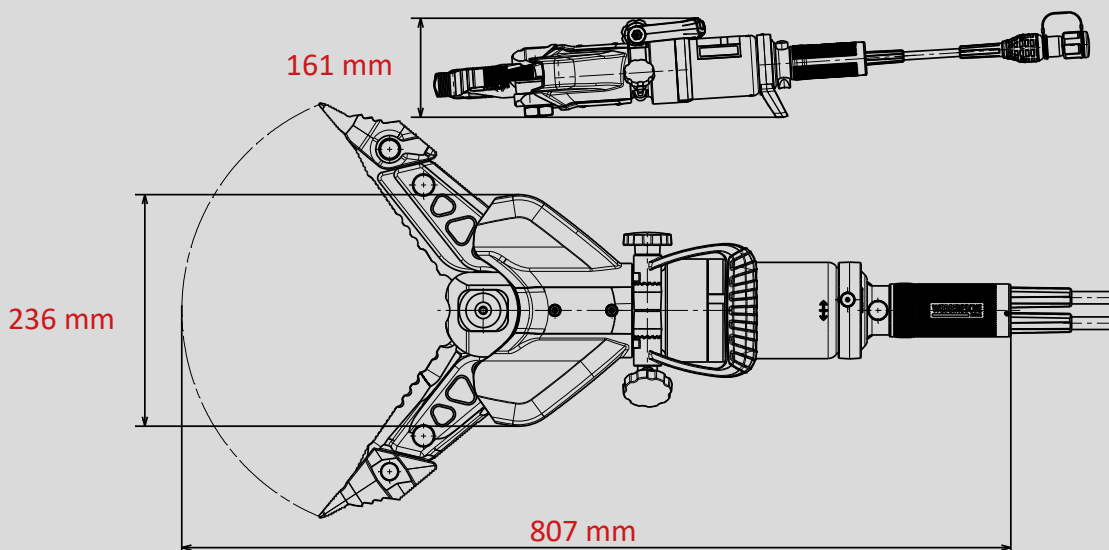
 **SINGLE**

 **ULTIMATE**

 **X-CHANGE**

Technical data:

Spreading width	405 mm
Spreading force (in the working area)	35 - 1071 kN
Opening width	343 mm
Pulling width (with adapters)	450 mm
Max. pulling force	58 kN
Weight	17,2 kg
Required oil volume	0,1 l
Dimensions (LxWxH)	807 x 236 x 161 mm
Nominal pressure	700 bar
EN classification (EN 13204)	CK35/405I-17,2
EN cutting class (EN 13204)	1I-2K-3J-4K-5J
NFPA cutting class (NFPA 1936)	A7-B9-C7-D9-E9-F6



Images are non-binding. We reserve the right to technical modifications.
60005272 (A, 200100, ALL, 29.07.2020)