

# COMBI TOOL SPS 480 MK2 E-FORCE3

Part No.  
**1099153**

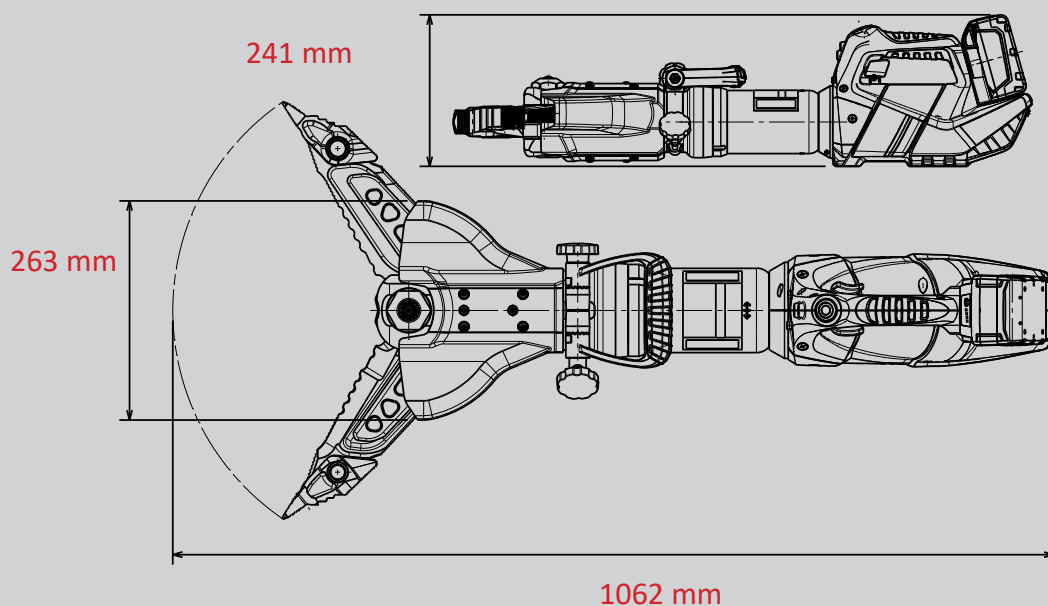


## E-FORCE3

-  CHARGE
-  FORGED
-  360° HANDLE
-  SPEED CONTROL
-  X-CHANGE
-  LED LIGHTS

### Technical data:

|                                       |                     |
|---------------------------------------|---------------------|
| Spreading width                       | 480 mm              |
| Spreading force (in the working area) | 45 - 1600 kN        |
| Opening width                         | 402 mm              |
| Pulling width (with adapters)         | 525 mm              |
| Max. pulling force                    | 78 kN               |
| Weight (ready to use)                 | 24,7 kg             |
| Dimensions (LxWxH)                    | 1062 x 263 x 241 mm |
| EN cutting class (EN 13204)           | 1K-2K-3K-4K-5K      |
| NFPA cutting class (NFPA 1936)        | A8-B9-C9-D9-E9-F7   |



Images are non-binding. We reserve the right to technical modifications.  
2022B 10/2022