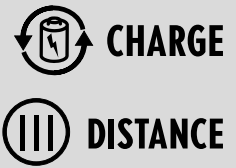


BATTERY-TELESCOPIC CYLINDER RZT 2-1170 E-FORCE2

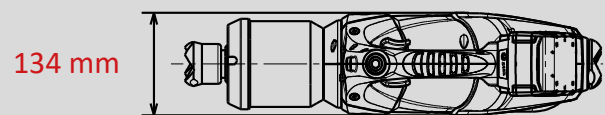
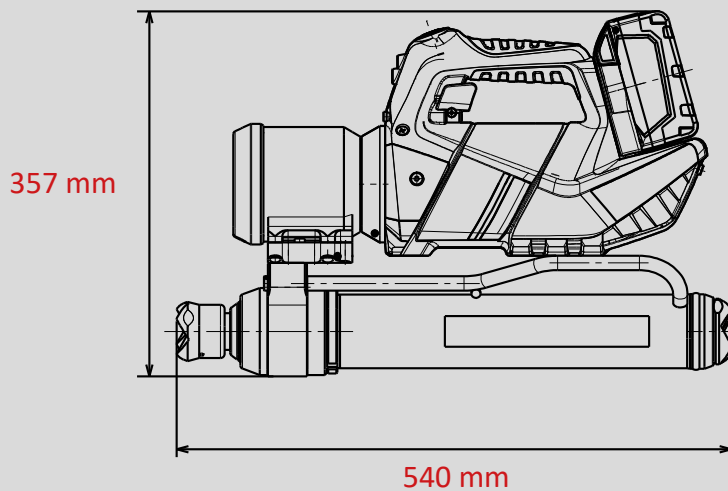
E FORCE 3

Part no.
1088997



Technical specifications:

| | |
|---------------------------------|---------------------------|
| Closed length (retracted) | 540 mm |
| Final length (extended) | 1170 mm |
| Stroke stage 1 / stroke stage 2 | 360 / 270 mm |
| Force stage 1 / stroke stage 2 | 189,0 / 99,0 kN |
| Weight (ready for use) | 20,4 kg |
| Dimensions (LxWxH) | 540 x 134 x 357 mm |
| Nominal pressure | 700 bar |
| EN classification (EN 13204)* | TR189/360-99/270-20,4-E-I |



*According to EN 13204. Images are non-binding. We reserve the right to technical modifications.
60005349 (, ALL, 11.02.2020)