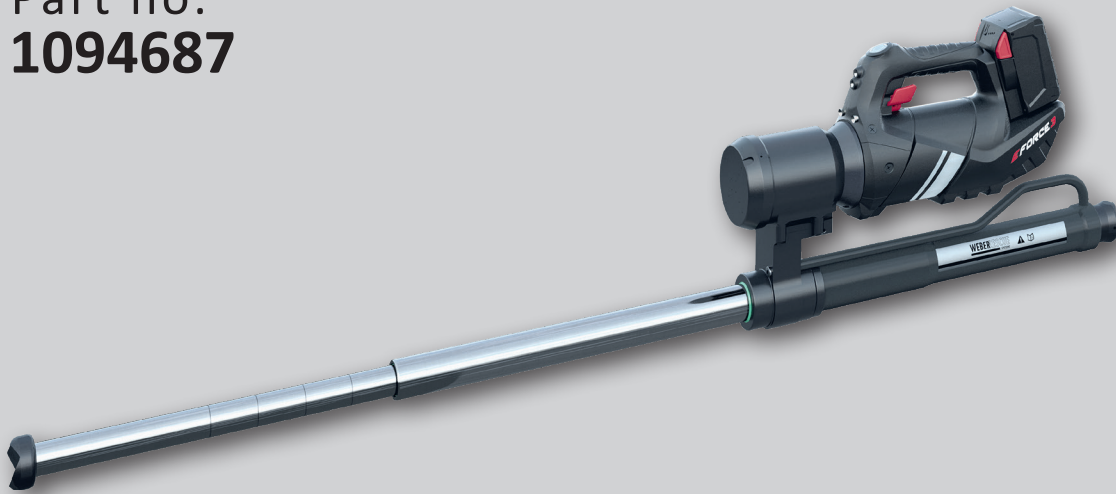


BATTERY-TELESCOPIC CYLINDER RZT 2-1360 E-FORCE3

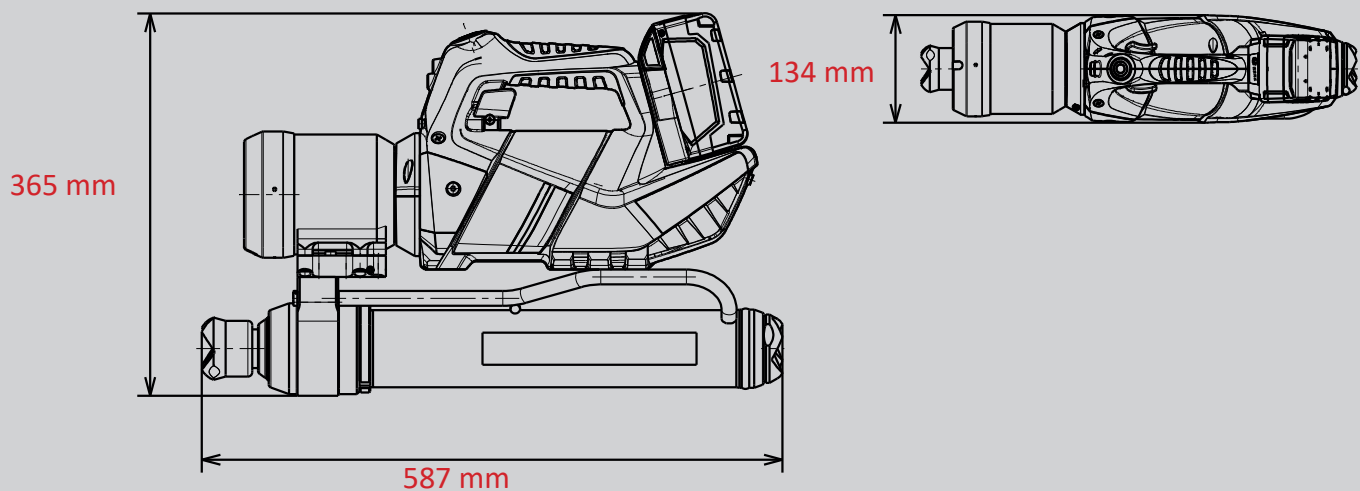
EFORCE3

Part no.
1094687



Technical specifications:

Closed length (retracted)	587 mm
Final length (extended)	1387 mm
Stroke stage 1 / stroke stage 2	428 / 372mm
Force stage 1 / stroke stage 2	108,0 / 62,0 kN
Weight (ready for use)	20,5 kg
Dimensions (LxWxH)	587 x 134 x 365 mm
Nominal pressure	550 bar
EN classification (EN 13204)*	TR108/428-62/372-20,5



*According to EN 13204. Images are non-binding. We reserve the right to technical modifications.
05/2024A