

Cutter RSC F7

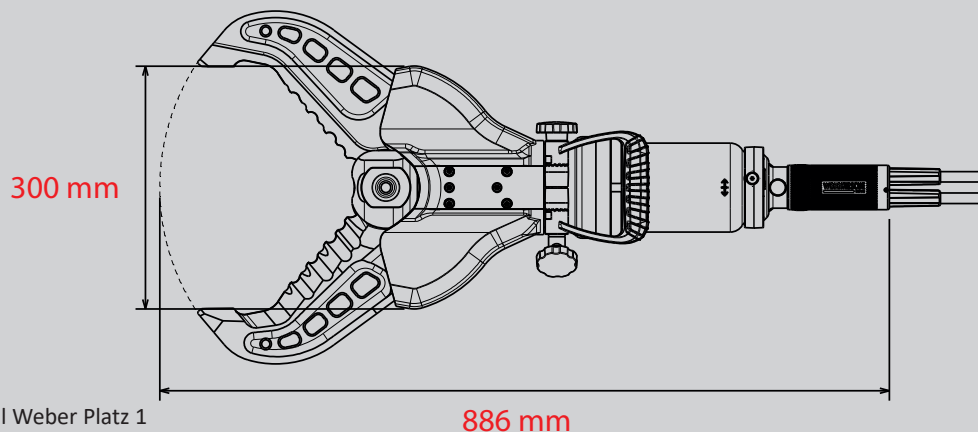
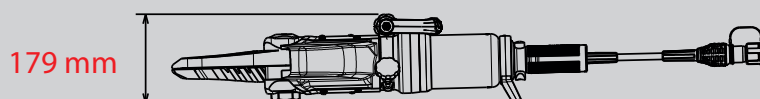
Part no.
1101567



-  FORGED
-  360° HANDLE
-  SINGLE
-  X-CHANGE
-  PUSH CONTROL

Technical data:

Opening width	300 mm
Weight (incl. battery)	23,3 kg
Dimensions (LxWxH)	886 x 295 x 179 mm
Nominal pressure	700 bar
EN classification (EN 13204)*	CC268K-23,3
EN cutting class (EN 13204)*	1K-2K-3K-4K-5K
NFPA cutting class (NFPA 1936)	A9-B9-C9-D9-E9-F7



WEBER-HYDRAULIK GMBH
Heilbronner Straße 30
74363 Güglingen, Germany
Phone +49 7135 71-10270
info@weber-rescue.com

Emil Weber Platz 1
4460 Losenstein, Austria
Phone +43 7255 6237-120

Images are non-binding. We reserve the right to technical modifications.
2022B, 10/2022