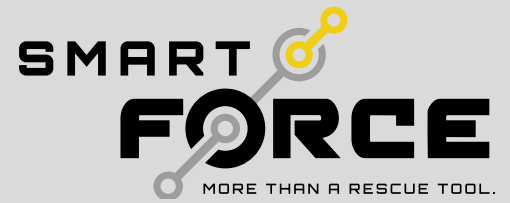


Cutter RSC 190 SMART-FORCE

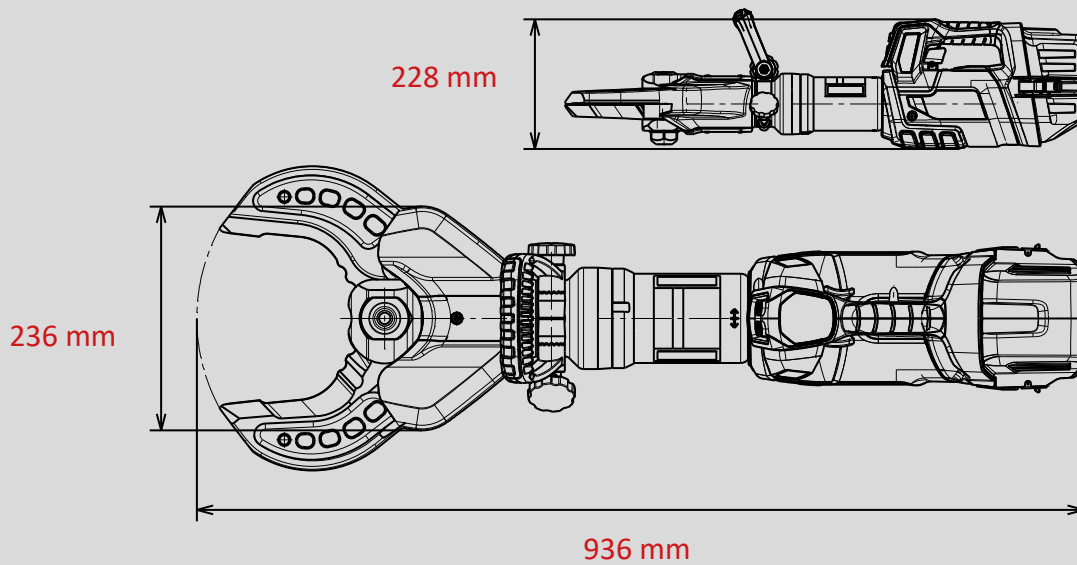
Part no.
1101549



- 18V BATTERY
- POW3R PUMP
- CONNECT
- FORGED
- 360° HANDLE
- LED LIGHTS
- UNDERWATER

Technical data:

Opening width	187
Weight (ready to use)	21,5 kg
Dimensions (LxWxH)	936 x 236 x 228 mm
Nominal pressure	700 bar
EN cutting class (EN 13204)	BC187K-21,5
EN cutting performance (EN 13204)	1K-2K-3K-4K-5K
NFPA cutting class (NFPA 1936)	A8-B9-C7-D9-E9-F4



WEBER-HYDRAULIK GMBH
Heilbronner Straße 30
74363 Güglingen, Germany
Phone +49 7135 71-10270
info@weber-rescue.com

Emil Weber Platz 1
4460 Losenstein, Austria
Phone +43 7255 6237-120

Images are non-binding. We reserve the right to technical modifications.
2023A, 07/2023