

# CUTTER S 270

Part no.  
**1096170**



 **FORGED**

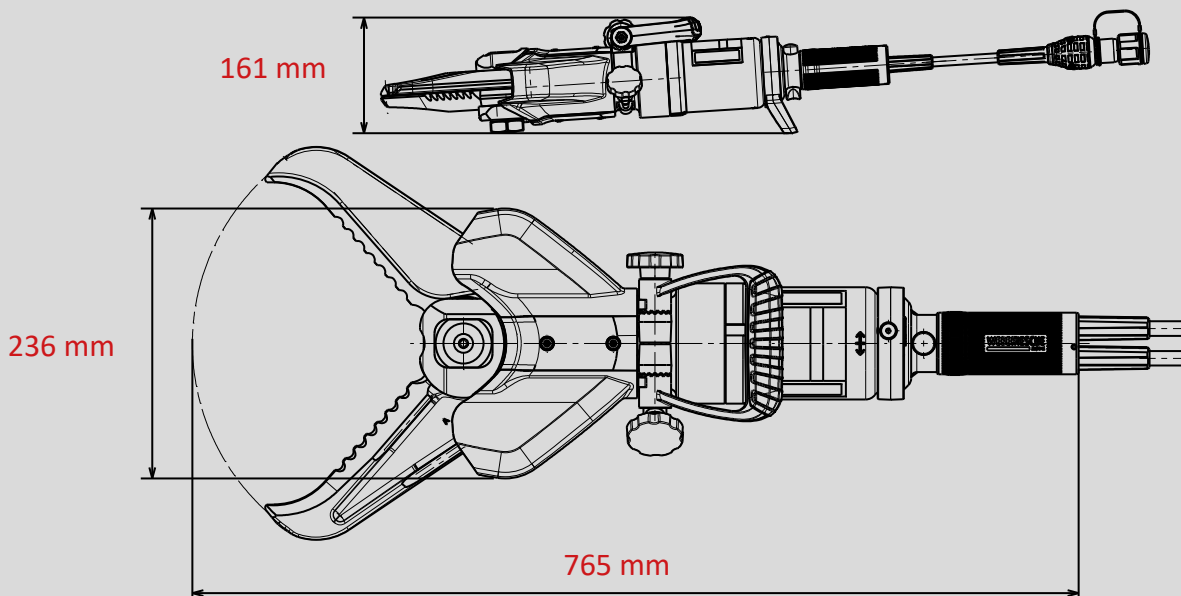
 **360° HANDLE**

 **PUSH CONTROL**

 **SINGLE**

## Technical data:

Opening width	280 mm
Weight (ready for use)	16,7 kg
Required oil volume	0,1 l
Dimensions (LxWxH)	765 x 236 x 161 mm
Nominal pressure	700 bar
EN classification (EN 13204)	CC218-I-16,7
EN cutting class (EN 13204)	1I-2K-3I-4K-5J
NFPA cutting class (NFPA 1936)	A7-B8-C7-D8-E9-F6



Images are non-binding. We reserve the right to technical modifications.  
60005223 (-, -, ALL, 09.06.2020)