

CONCRETE CRUSHER BC 250 MK2 E-FORCE3

E FORCE 3

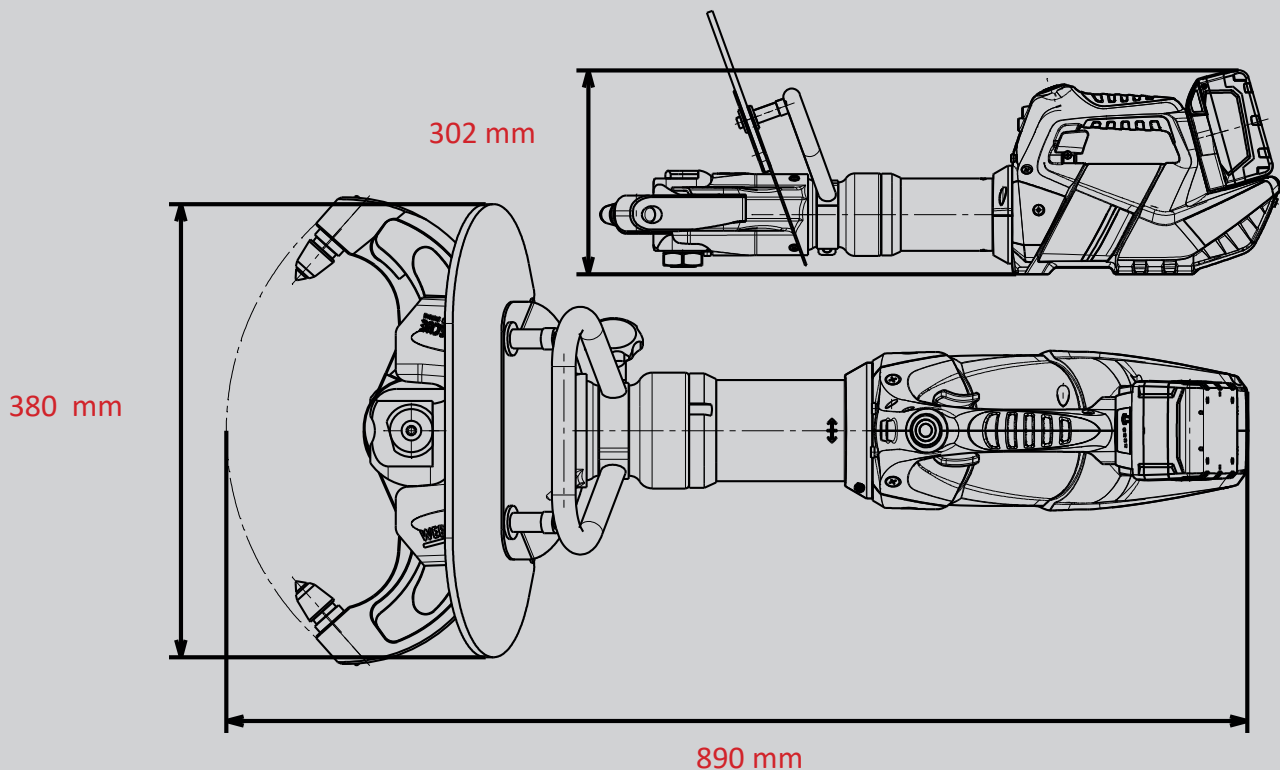
Part no.
1103955



-  CHARGE
-  FORGED
-  360° HANDLE
-  SPEED CONTROL
-  LED LIGHTS

Technical data:

Opening width	250 mm
Weight (ready for use)	21,5 kg
Dimensions (LxWxH)	890 x 380 x 302 mm



WEBER-HYDRAULIK GMBH

Heilbronner Straße 30
74363 Güglingen, Germany
Phone +49 7135 71-10270
info@weber-rescue.com

Emil Weber Platz 1
4460 Losenstein, Austria
Phone +43 7255 6237-120

Images are non-binding. We reserve the right to technical modifications.
10/2023A