

SPECIAL CUTTER C 120 MK2 SMART-FORCE

Part no.
1105135

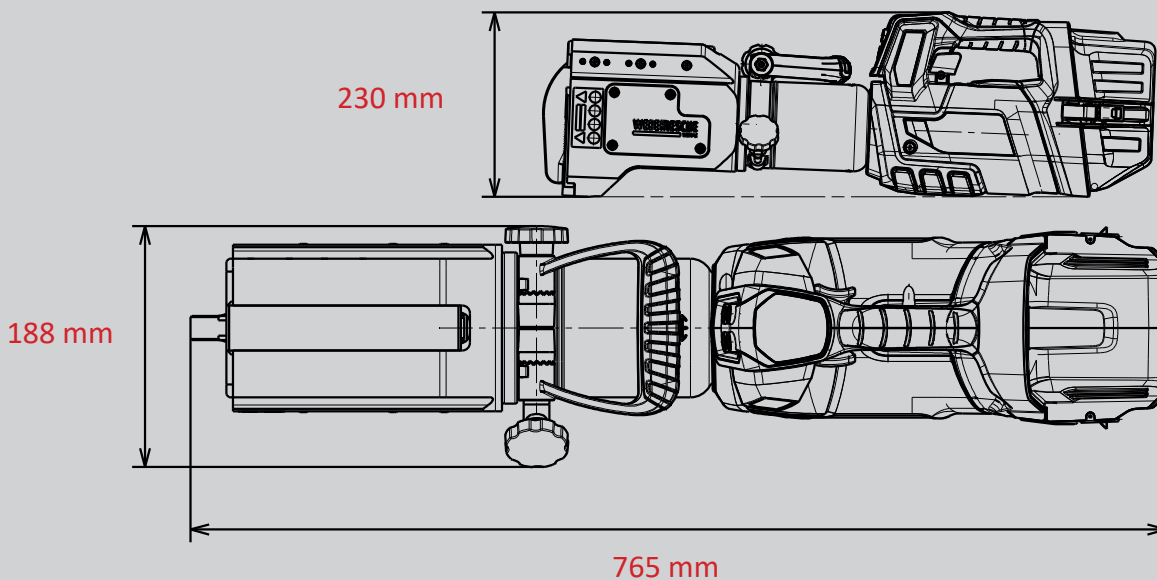


**SMART
FORCE**
MORE THAN A RESCUE TOOL.

-  **18V BATTERY**
-  **POW3R PUMP**
-  **CONNECT**
-  **FORGED**
-  **360° HANDLE**
-  **LED LIGHTS**
-  **UNDERWATER**

Technical data:

| | |
|-----------------------------------|--------------------|
| Opening width | 120 mm |
| Weight (ready for use) | 24,1 kg |
| Dimensions (LxWxH) | 765 x 188 x 230 mm |
| EN cutting class (EN 13204) | AC120-D-24,1 |
| EN cutting performance (EN 13204) | 1D-2D-3E-4F-5F |
| NFPA cutting class (NFPA 1936) | A4-B3-C5-D6-E6-F3 |



WEBER-HYDRAULIK GMBH
Heilbronner Straße 30
74363 Güglingen, Germany
Phone +49 7135 71-10270
info@weber-rescue.com

Emil Weber Platz 1
4460 Losenstein, Austria
Phone +43 7255 6237-120

Images are non-binding. We reserve the right to technical modifications.
05/2024A