

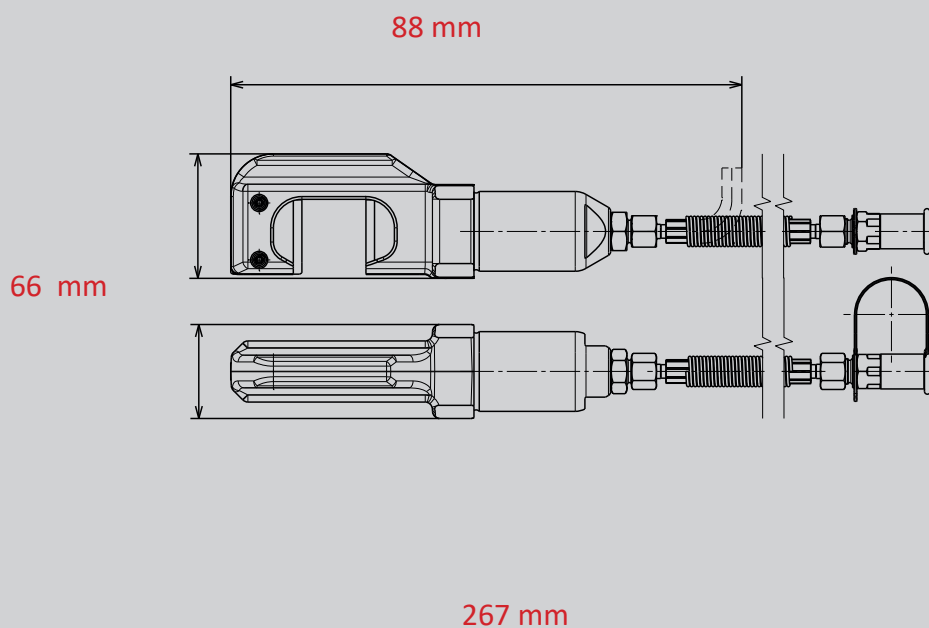
MINI CUTTER C 45-9

Part no.
1070758



Technical specifications:

Opening width	45 mm
Dimensions (l x w x h)	267 x 66 x 88 mm
Rundmaterial	18 mm (570 bar) 20 mm (700 bar)
Gewicht	3,9 kg



Images are non-binding. We reserve the right to technical modifications.
2022/A