




POWERWEDGE SPK 250 MK2

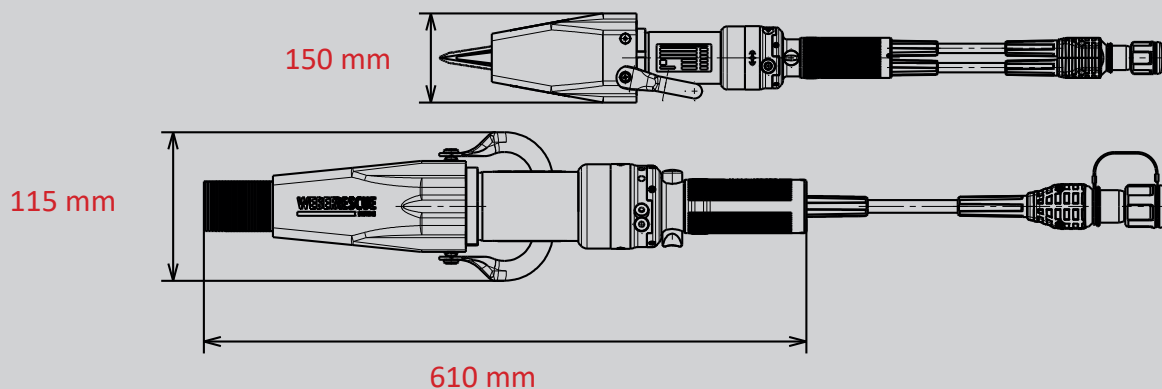
Part no.
1101215



-  SINGLE
-  X-CHANGE
-  PUSH CONTROL

Technical data:

Spreading width	61 mm
Spreading force	248 KN
Weight	9,0 kg
Dimensions (LxWxH)	610 x 150 x 115 mm



WEBER-HYDRAULIK GMBH

Heilbronner Straße 30
74363 Güglingen, Germany
Phone +49 7135 71-10270
info@weber-rescue.com

Emil Weber Platz 1
4460 Losenstein, Austria
Phone +43 7255 6237-120

Images are non-binding. We reserve the right to technical modifications.
10/2023A