

BATTERY-SPREADER SP 44 AS E-FORCE3

E FORCE 3

Part no.
1093703



CHARGE



GRIP



360° HANDLE



PEELING



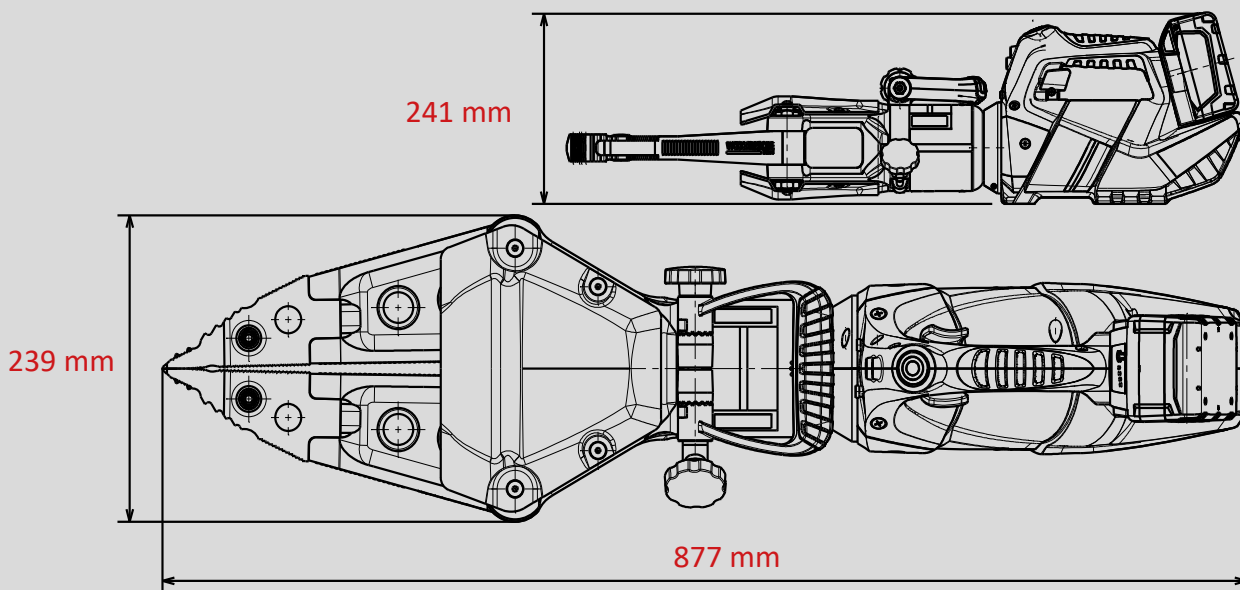
SPEED CONTROL



X-CHANGE

Technical specifications:

Spreading width	610 mm
Spreading force (in the working area)	44 - 857 kN
Max. squeezing force	149,0 kN
Pulling width	465 mm
Max. pulling force	68,0 kN
Weight (ready for use)	17,3 kg
Dimensions (LxWxH)	877 x 239 x 241 mm
Nominal pressure	700 bar
EN classification (EN 13204)	AS44/610-17,3



Images are non-binding. We reserve the right to technical modifications.
60004877 (-, -, ALL, 21.01.2020)

WEBER-HYDRAULIK GMBH
Heilbronner Straße 30
74363 Güglingen/Germany
Tel +49 7135/71-10270
Fax +49 7135/71-10396
info@weber-rescue.com

Emil Weber Platz 1
4460 Losenstein/Austria
Tel +43 7255/6237-120
Fax +43 7255/6237-12461
info@weber-rescue.com

WEBER RESCUE
SYSTEMS
www.weber-rescue.com