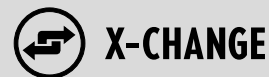


BATTERY-SPREADER SP 54 AS E-FORCE3

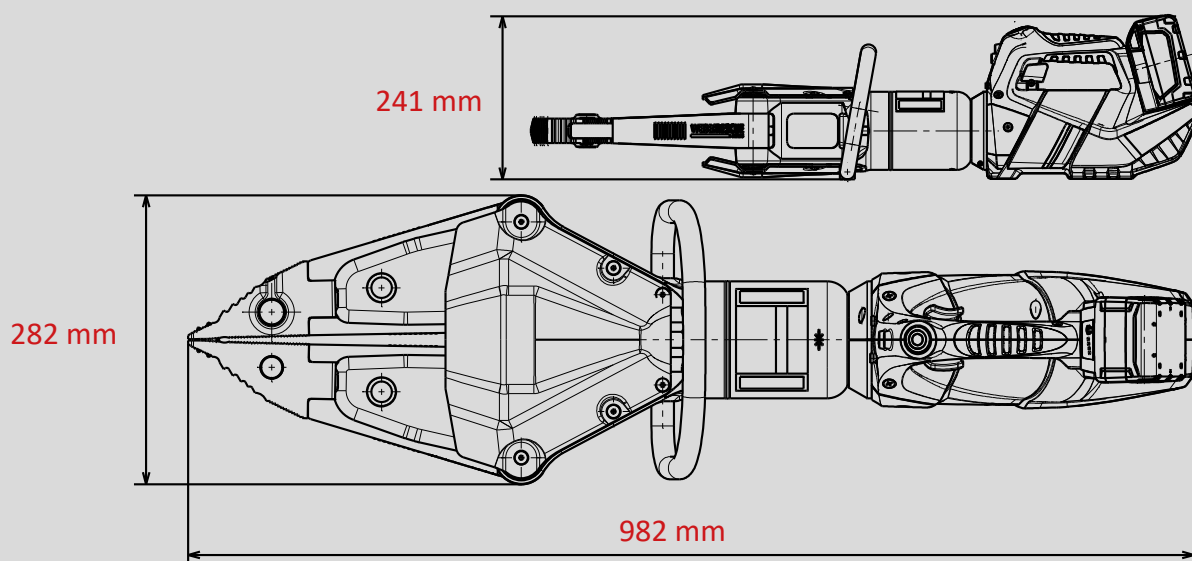
E FORCE 3

Part no.
1091736



Technical specifications:

Spreading width	735 mm
Spreading force (in the working area)	55 - 501 kN
Max. squeezing force	144,0 kN
Pulling width	620 mm
Max. pulling force	70 kN
Weight (ready for use)	20,7 kg
Dimensions (LxWxH)	982 x 282 x 241 mm
Nominal pressure	700 bar
EN classification (EN 13204)*	AS55/735-20,7



*According to EN 13204. Images are non-binding. We reserve the right to technical modifications.
60004861 (-, -, ALL, 21.01.2020)

WEBER-HYDRAULIK GMBH
Heilbronner Straße 30
74363 Güglingen/Germany
Tel +49 7135/71-10270
Fax +49 7135/71-10396
info@weber-rescue.com

Emil Weber Platz 1
4460 Losenstein/Austria
Tel +43 7255/6237-120
Fax +43 7255/6237-12461
info@weber-rescue.com

WEBER RESCUE
SYSTEMS
www.weber-rescue.com